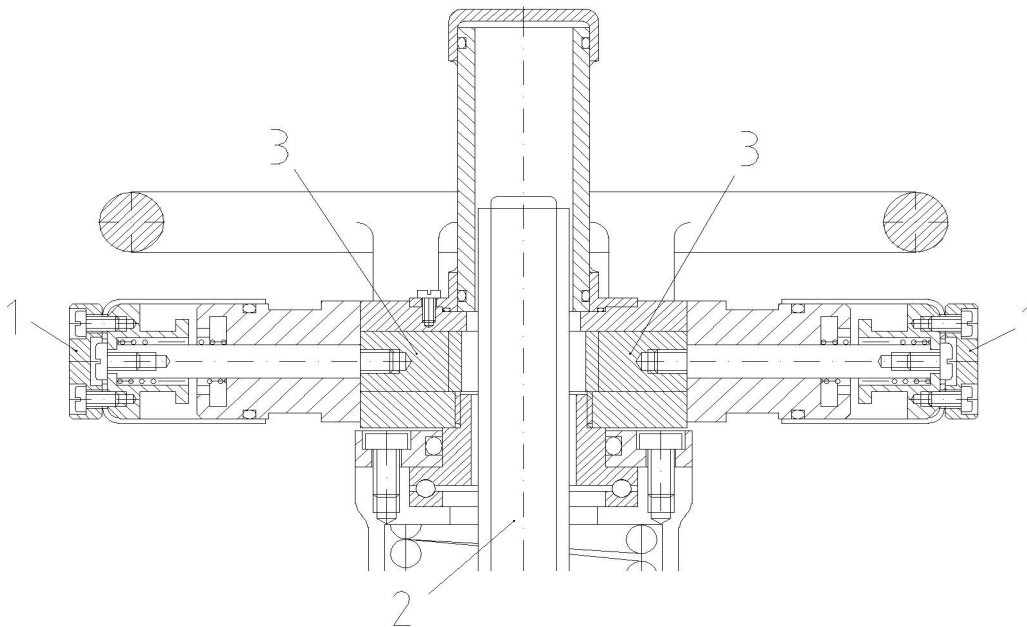


Information concerning the additional emergency manual operation for remote controlled GÄBLER piston slide valves

Functional description of the add. manual operation – size DN 65 – DN 150 for GÄBLER piston valves type GKV 510 and GKV 560



The piston valve must not be remote controlled while the split stem nut (3) is still resting within the thread of the stem and the locking sleeves (1) are locked. It is necessary that the hand wheel is idling.

To use the additional manual operation, both sleeves (1) have to be pushed towards the stem (2) to clutch the thread of the stem nut (3) in contact with the stem itself. It might be helpful to turn the handwheel in order to get the split stem nut in the correct position towards the stem. If the stem nut is in contact, it has to be locked by turning the sleeves by 90°.

To avoid damage to the stem (2) it is recommended that the unlocking of the stem nut (3) is carried out while the piston is in the safe position to reduce the tension of the compression spring. (spring-closed valves should be closed before unlocking the stem nut and spring opened valves should be in open position).

